

Wander

Available at
pCon
PLANNER

Cosy niche sofa

Design: Lauri Visnapuu

When you combine the comfort of a home sofa with the convenience of an office sofa, you get Wander – a cosy niche sofa with high walls that provides visual separation, supports productivity, and can be easily moved around.

With modules available in three different widths, Wander offers a number of interior design options. By placing the modules opposite each other, the result is a cosy nest suitable for a private chat. When complemented with an auxiliary desk, it serves as a functional work island. Equipped with castors, Wander moves with you. Modules arranged in a row are also suitable, for a café, for example.

Wander's soft back cushions are loose and adjustable. In keeping with circular economy design, Wander's coverings are durable and easy to replace, even on your own.



Welcome Zone



Social Zone



Collaboration Zone



Concentration Zone

Can be moved around, if desired

Help make waiting more comfortable

Allows you to focus and separate

PRODUCT INFORMATION

Versions

Available in 3 different sizes. Additionally available as Workbays in 3 different sizes when connected with compound wall

Legs

Lockable 360° rotating castors

Accessories

Workbays' compound walls are equipped with tables to add functionality to the seating area

Electrical outlet

Integrated electrical outlet

Warranty

5 years

Sustainability

Based on principles of the circular economy

Certification



STANDARD MATERIALS

Frame

Solid wood and plywood

Seat and backrest

Durable HR foam; fire retardant HR foam on request

Tables

Matt high-pressure laminate top with powder-coated metal leg

Pillows

Feather filling, attached with Velcro

Fabric upholstery

The cover fabric is not removable

For extra acoustic attenuation acoustic fabrics recommended
Choose any fabric from Intuit **Standard Fabric Collection**

Additional information

As part of after-sales service we offer the change of cover fabric and all other components if needed



FINISHING OPTIONS

Tabletop

High-pressure laminate

Black



Table leg

Powder-coated metal

Jet Black RAL 9005



Other finishing options available on request.



ELECTRICAL OUTLET



220V + USB A & C

Other electrical outlet combinations available on request.

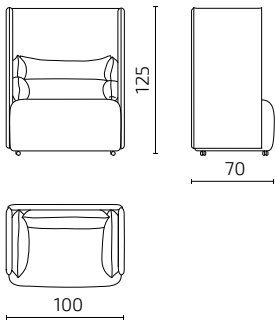
Berker Integro Flow
Color: Anthracite Matt

Available options DK, EU, FR, UK

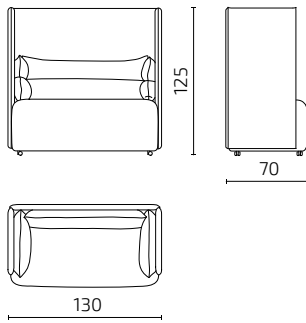


DIMENSIONS

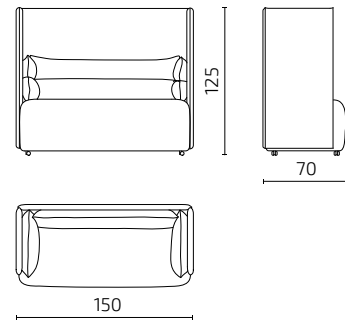
Seat depth: 46 cm, without pillow 63 cm
 Seat height: 46 cm



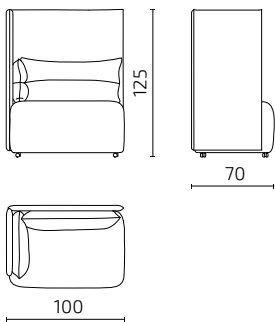
S129-S1H3



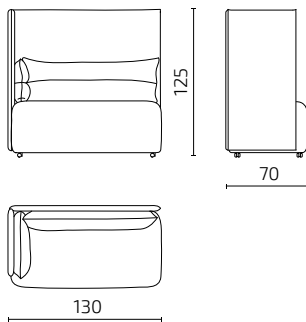
S129-S2H3



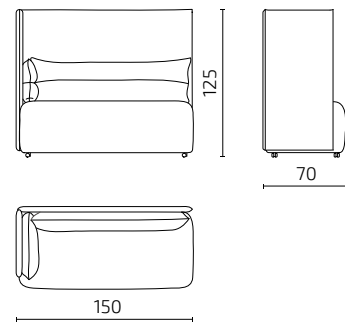
S129-S25H3



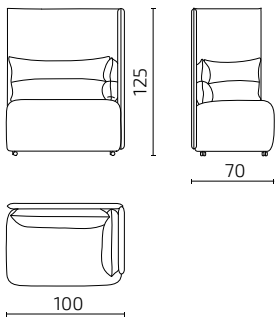
S129-1CLH3



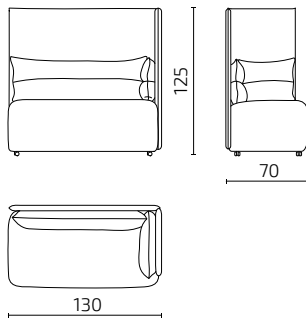
S129-2CLH3



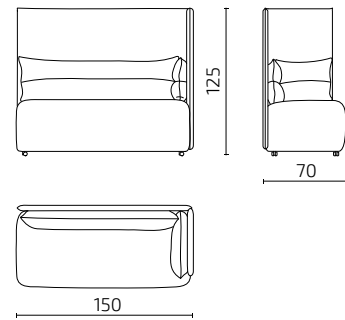
S129-25CLH3



S129-1CRH3

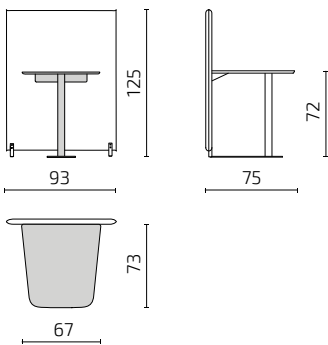


S129-2CRH3

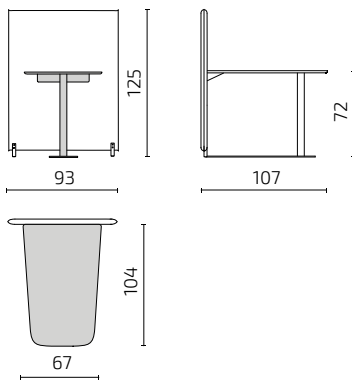


S129-25CRH3

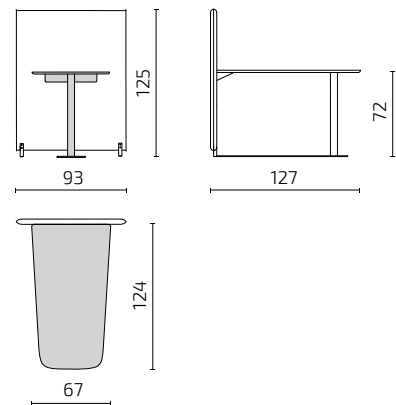
Tables



S129-WH3T1



S129-WH3T2



S129-WH3T25

All dimensions provided in centimetres.