

Note

Mobile whiteboard

Design: Lauri Visnapuu

Make room for big ideas. Use our convenient mobile whiteboard to utilise every brainstorming opportunity. Equipped with 360-degree wheels, you can take the whiteboard wherever fresh ideas are born.

The back of the whiteboard is optionally covered with cutting-edge acoustic felt. Given its sound-absorbing qualities and notable height, the board can be transformed into a privacy screen, showcasing our love for multifunctional furniture.



Collaboration Zone



Concentration Zone

Minimize workplace noise

Divide your office on the go

Wheel the board around for creative collaboration

PRODUCT INFORMATION

Warranty

5 years

Legs

360° rotating and lockable castors

Sustainability

Based on principles of the circular economy

Certification



STANDARD MATERIALS

Whiteboard

High-pressure decorative laminate

Panel

MDF, upholstered with batting and covered with acoustic felt on request

Legs

Powder-coated metal

Marker Holder

Varnished solid oak

Fabric upholstery

The cover fabric is not removable

Choose any fabric from **Intuit Standard Fabric Collection**

Additional information

As part of after-sales service we offer the change of cover fabric and all other components if needed

FINISHING OPTIONS

Legs

Powder-coated metal

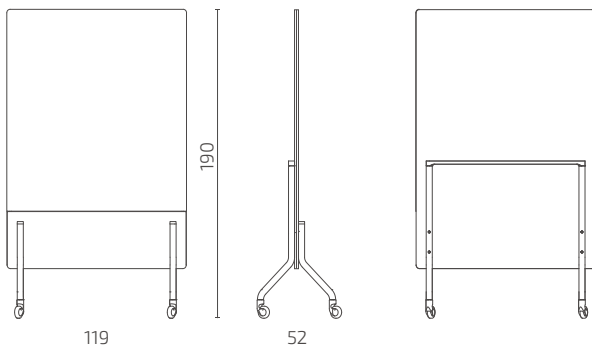
Jet Black RAL 9005



Other finishing options available on request.



DIMENSIONS



S124-MWH190

All dimensions provided in centimetres.

