

# Node

## Modular sofa system

Design: Argo Tamm

Designed for larger public interiors where flexibility, presence and spatial structure must work together, Node is a modular sofa system created to shape central spaces with confidence. Developed as a natural evolution of Intuit's highly versatile Meeter series, Node expands the same core strengths into a larger, more expressive format — offering greater comfort, stronger visual presence and broader planning potential for spacious environments.



Welcome Zone



Social Zone



Collaboration Zone

Shape larger environments with flexibility

Build inviting spaces that adapt

Create central spaces

## PRODUCT INFORMATION

### Versions

Available in 2 heights and 4 lengths  
Straight and inward and outward-facing curved modules

### Modularity

Modules can be connected together

### Legs

Black plastic

### Accessories

Attached side table to add functionality

### Electrical outlet

Integrated in the table top

### Warranty

5 years

### Certification



## STANDARD MATERIALS

### Frame

Plywood, high density fiberboard

### Seat & backrest

Durable HR foam; fire retardant HR foam on request

### Table

Mass colored MDF / high-pressure laminate top;  
powder-coated metal frame

### Fabric upholstery

The cover material is not removable

Choose any fabric from **Intuit Standard Fabric Collection**

### Additional information

As part of after-sales service we offer the change of cover fabric and all other components if needed



## FINISHING OPTIONS

### Tabletop

#### *High-pressure laminate*

Alpine White Egger W1100 PM



Soft Black Egger U999 PM



Stone Green Egger U665 PM



Garnet Red Egger U399 PM



#### *Mass-colored MDF*

Natural



### Table frame

#### *Powder-coated metal*

Jet Black RAL 9005



Other finishing options available on request.



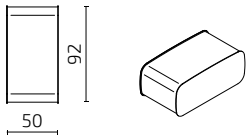
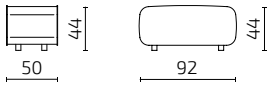


**With its modular logic,** Node allows designers to build straight, curved and expansive seating landscapes that adapt to the scale and rhythm of each project. Available in two heights and multiple straight and rounded modules, Node supports everything from open social interaction to more defined spatial zoning.

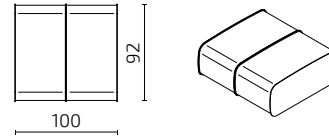
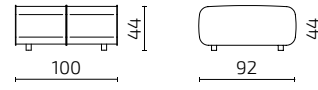
**Its larger form** makes it particularly well suited for foyers, waiting areas, hospitality spaces, educational hubs and public interiors where furniture must do more than provide seating — it defines the atmosphere and creates purposeful gathering points.

# DIMENSIONS

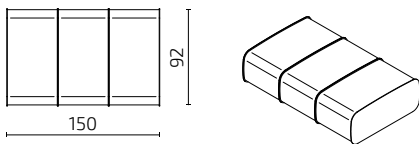
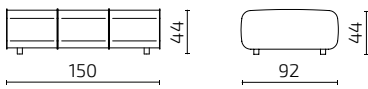
## Straight modules



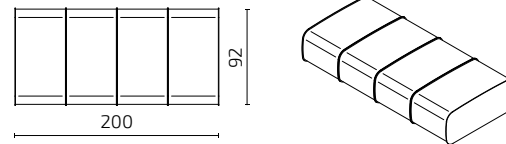
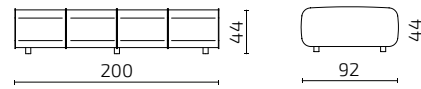
**Node 1F**



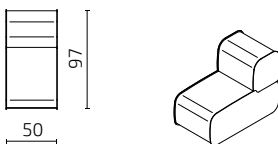
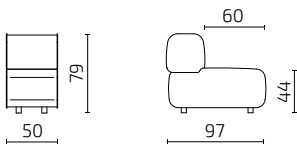
**Node 2F**



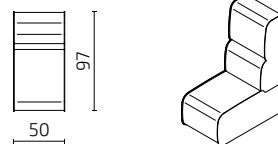
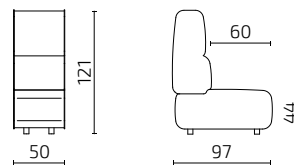
**Node 3F**



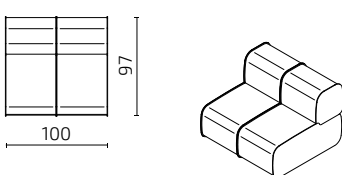
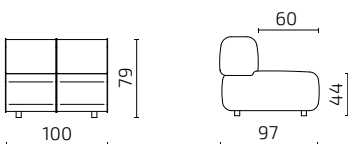
**Node 4F**



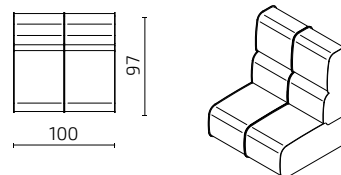
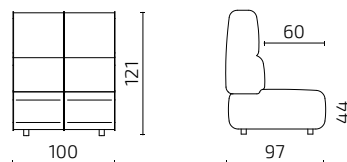
**Node 1S-H1**



**Node 1S-H2**



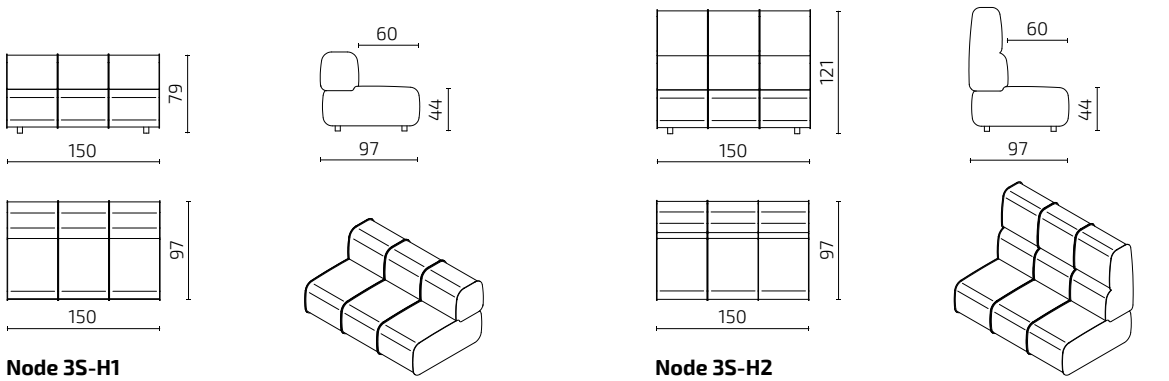
**Node 2S-H1**



**Node 2S-H2**

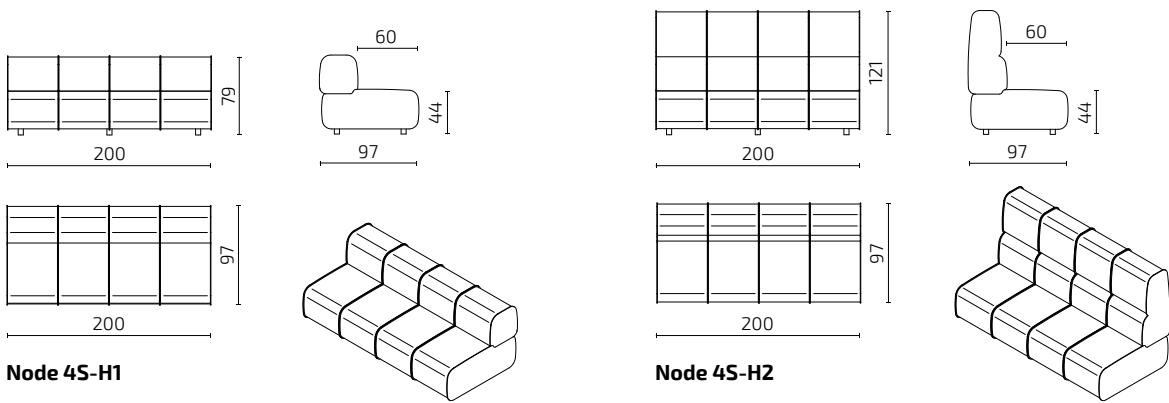
All dimensions provided in centimetres.

# DIMENSIONS



**Node 3S-H1**

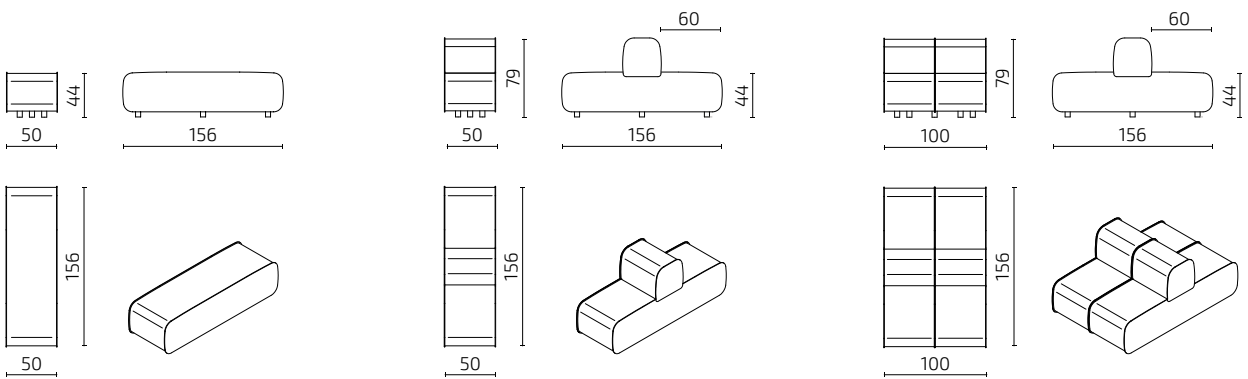
**Node 3S-H2**



**Node 4S-H1**

**Node 4S-H2**

## Straight modules with shared backrest



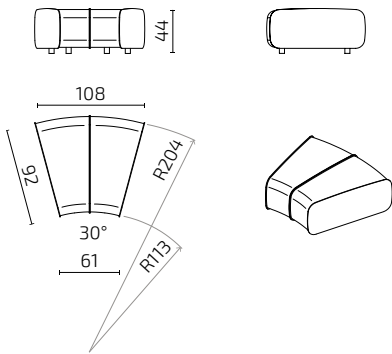
**Node 1S1F**

**Node 11S-H1**

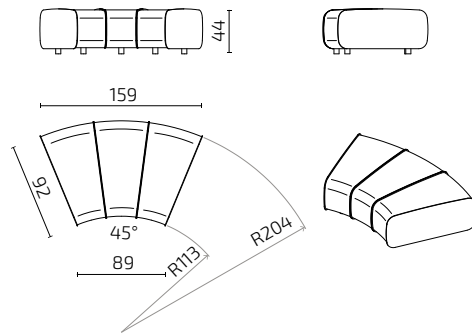
**Node 21S-H1**

All dimensions provided in centimetres.

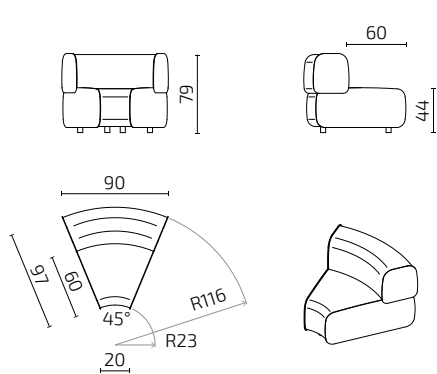
**Round modules**



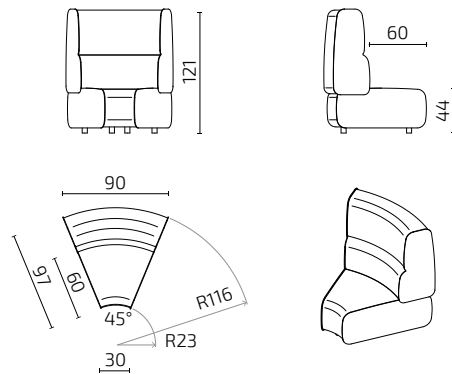
**Node 1RF**



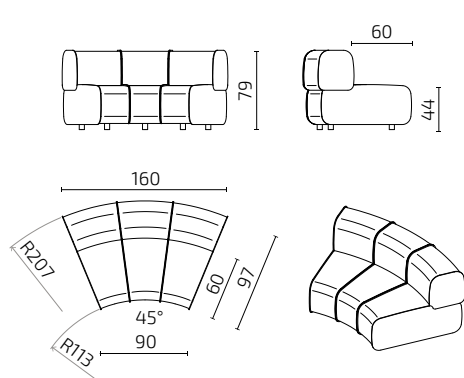
**Node 2RF**



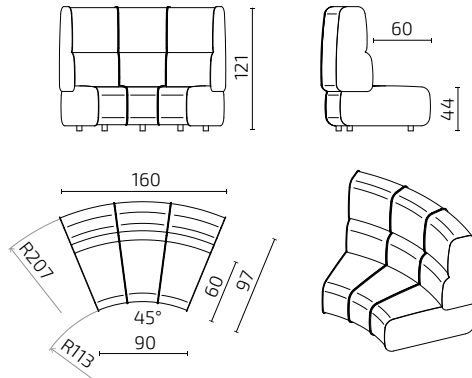
**Node C-H1**



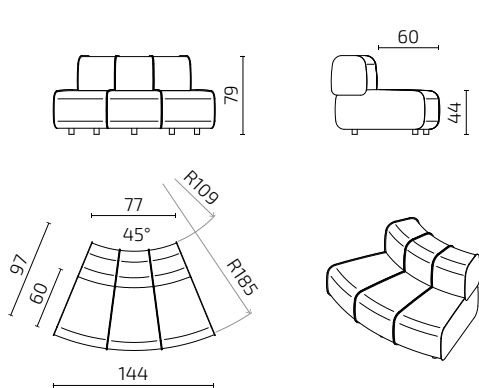
**Node C-H2**



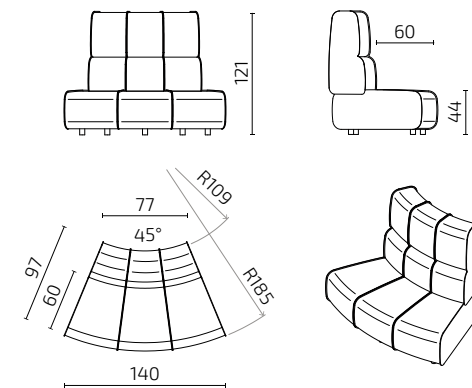
**Node 1SR-H1**



**Node 1SR-H2**



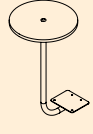
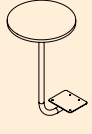
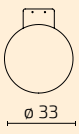
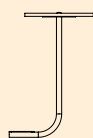
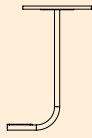
**Node 1VR-H1**



**Node 1VR-H2**

All dimensions provided in centimetres.

**Tables**



**Node T1**

**Node T1E**

