

Meeter Round

Available at
pCon
PLANNER

Sofa modules

Design: Argo Tamm

Meeter Round, an evolution of the straight module, streamlines rows of seating. Its gently rounded silhouette and smooth curves optimise available space, creating an inviting seating area perfect for waiting rooms, cafés, and other public spaces.



Welcome Zone



Social Zone

Create compact waiting spots

Add elegance with a rounded silhouette

PRODUCT INFORMATION

Versions

Available in 3 different heights and 2 different shapes

Modularity

Modules can be connected together

Legs

Available with regular legs and plinth

Accessories

Attached side table to add functionality

Warranty

5 years

Sustainability

Based on principles of the circular economy

Certification



STANDARD MATERIALS

Frame

Solid wood and plywood

Seat & backrest

Durable HR foam; fire retardant HR foam on request

Legs

Solid oak / Powder-coated metal

Plinth: Veneer / High-pressure laminate

Table

Mass colored wood fibreboard / high-pressure laminate top with plywood edge; powder-coated metal frame

Fabric upholstery

The cover material is not removable

Choose any fabric from **Intuit Standard Fabric Collection**

Additional information

As part of after-sales service we offer the change of cover fabric and all other components if needed



LEGS



Solid oak legs, stained and varnished; anti-slip soles



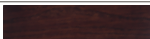



Powder-coated metal; anti-slip soles. Available in U-shape and straight legs



Plinth
Additional cost will apply



Solid oak

Whitened	
Natural	
Wenge	
Black	

Powder-coated metal

Jet Black RAL 9005	
--------------------	---

Plinth

Natural oak veneer	
Black high-pressure laminate	

Other finishing options available on request.

TABLE

Tabletop

High-pressure laminate, plywood edge

Black	
-------	---

Mass-colored wood fibreboard

Grey	
Black	

Table frame

Powder-coated metal

Jet Black RAL 9005	
--------------------	---



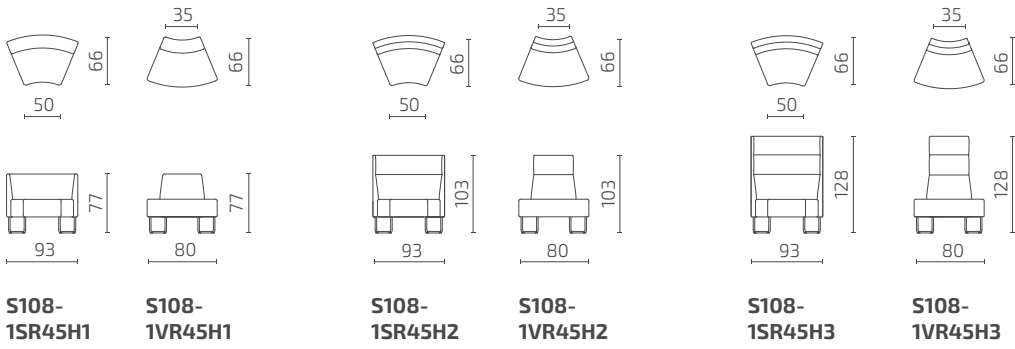
Meeter side table

Other finishing options available on request.

DIMENSIONS

Modules

Seat depth: 45 cm / height: 46 cm



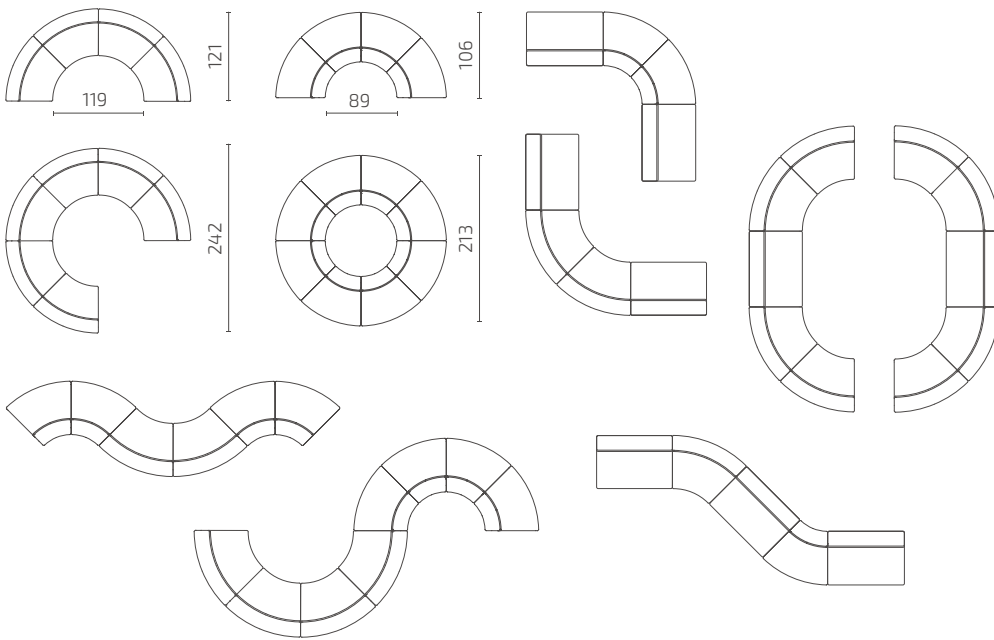
All dimensions provided in centimetres.

Table



S108-T1

SAMPLE COMBINATIONS



Round module with inner radius / H3

Round module with outer radius / H3